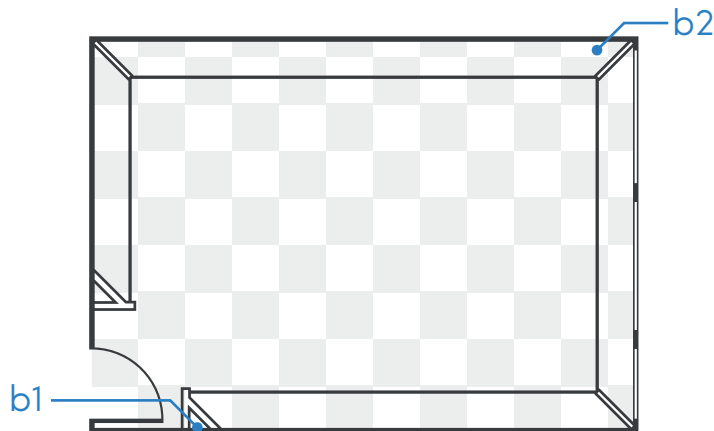


Quick Start Guide

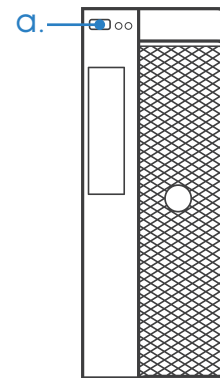
Step 1.

- Turn on the Vive Base Stations using the power switches labeled "Vive b1" and "Vive b2".



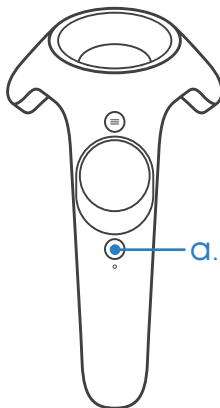
Step 2.

- Turn on the PC (a)
- Log in with user account "River" (no password required).



Step 3.

- If required for your experiment, turn on the Hand Controllers (a).



Step 4.

- Launch the SteamVR application via the "VR" icon on the desktop.
- Place the Vive Headset and Hand Controllers (if used) inside the play area, so they can see both Base Stations.
- Confirm the system status is "Ready" and the icons for all of the attached devices are green.
- If an icon is blinking, hover over it with the mouse to see what's wrong and how to fix it.

Note

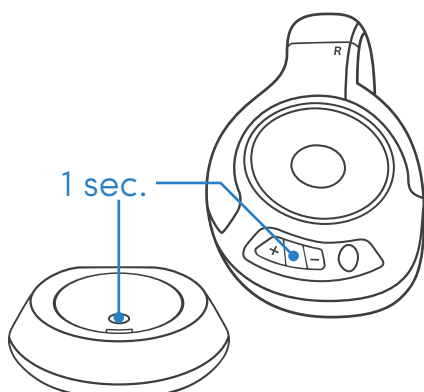
- You can ignore any warning messages about the Windows Aero interface or the distance between Base Stations.

Troubleshoot

- Contact Lab Manager: e.vandenberg@ru.nl
024 36 17811
Room B.00.85

Step 5.

- Unplug the Headphones.
- Turn on Headphone Transmitter and Headphones.



Step 6.

- Find your project folder on the desktop and execute the program within. Follow instructions on screen or as documented.

Shutdown

- Check battery level of Hand Controllers (hover over the Controller icons in the SteamVR interface). Attach to charger if necessary.
- Close the SteamVR application.
- **Transfer your collected data to your personal or workgroup drive!**
- Shut down Windows via the start menu.
- Turn off Headphones (repeat Step 5). Plug power cable into Headphones to charge battery.
- **Turn off the Vive Base Stations!** (see Step 1)
- Turn off room lights and lock the lab door on your way out.