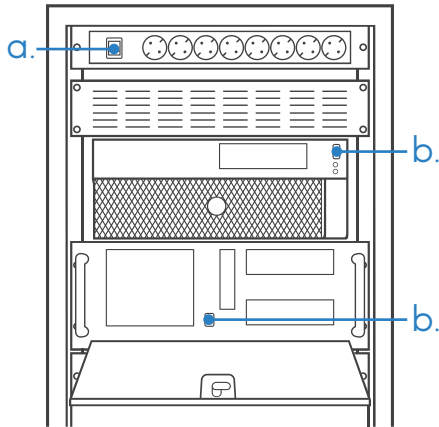


# Quick Start Guide

RIVER Lab 2 v1.2

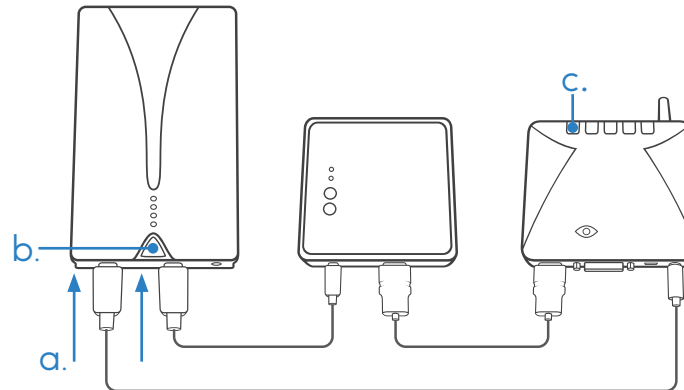
## Step 1.

- Turn on Power (a) and PCs (b).



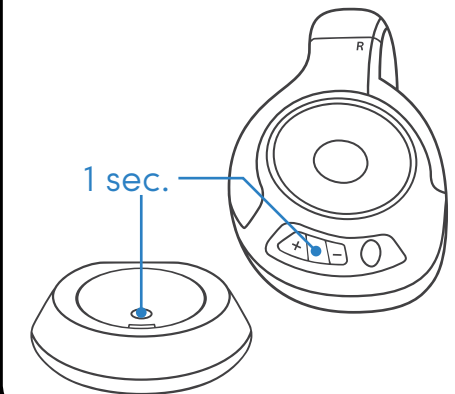
## Step 2.

- Take Head Mounted Display and utility-belt out of the large cabinet. Connect battery (a). Turn on battery (b) and HMD control box (c).



## Step 3.

- Unplug Headphones.
- Turn on Headphone Transmitter and Headphones.



## Step 4.

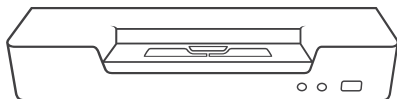
- On the Tracking Interface PC, connect to 'atc-655' or find it via 'other controller'.

## Step 5.

- On the Stimulus PC, find your project folder on the desktop and execute the VR program within. Follow instructions on screen or as documented.

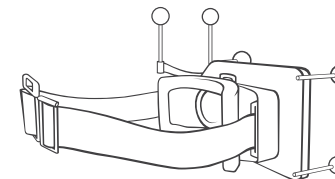
## Note

- Use the KVM switch to switch between the Tracking Interface (1) and the Stimulus Control window (2).



## In Use

- Handle HMD with care. Prevent touching the reflective markers as it can impact tracking quality.



- After each session, clean HMD lenses with microfiber cloth.
- Regularly check battery level as indicated below the battery power button.

## Shutdown

- Disconnect HMD battery cables. Battery will switch off automatically. Charge if necessary.
- Store HMD and utility-belt in cabinet. **Lock the cabinet!**
- Turn off Headphones (repeat step 3). Plug power cable into headphones to charge battery.
- Close Stimulus software and backup your data. Shut down Windows via the start menu.
- Stop and close Tracking Interface. Shut down Windows.
- **Turn off the Power!** (Step 1a)
- Turn off lights, lock lab doors.

## Troubleshoot

- Contact Lab Manager:  
e.vandenberg@ru.nl  
024 36 17811  
Room B.00.85

